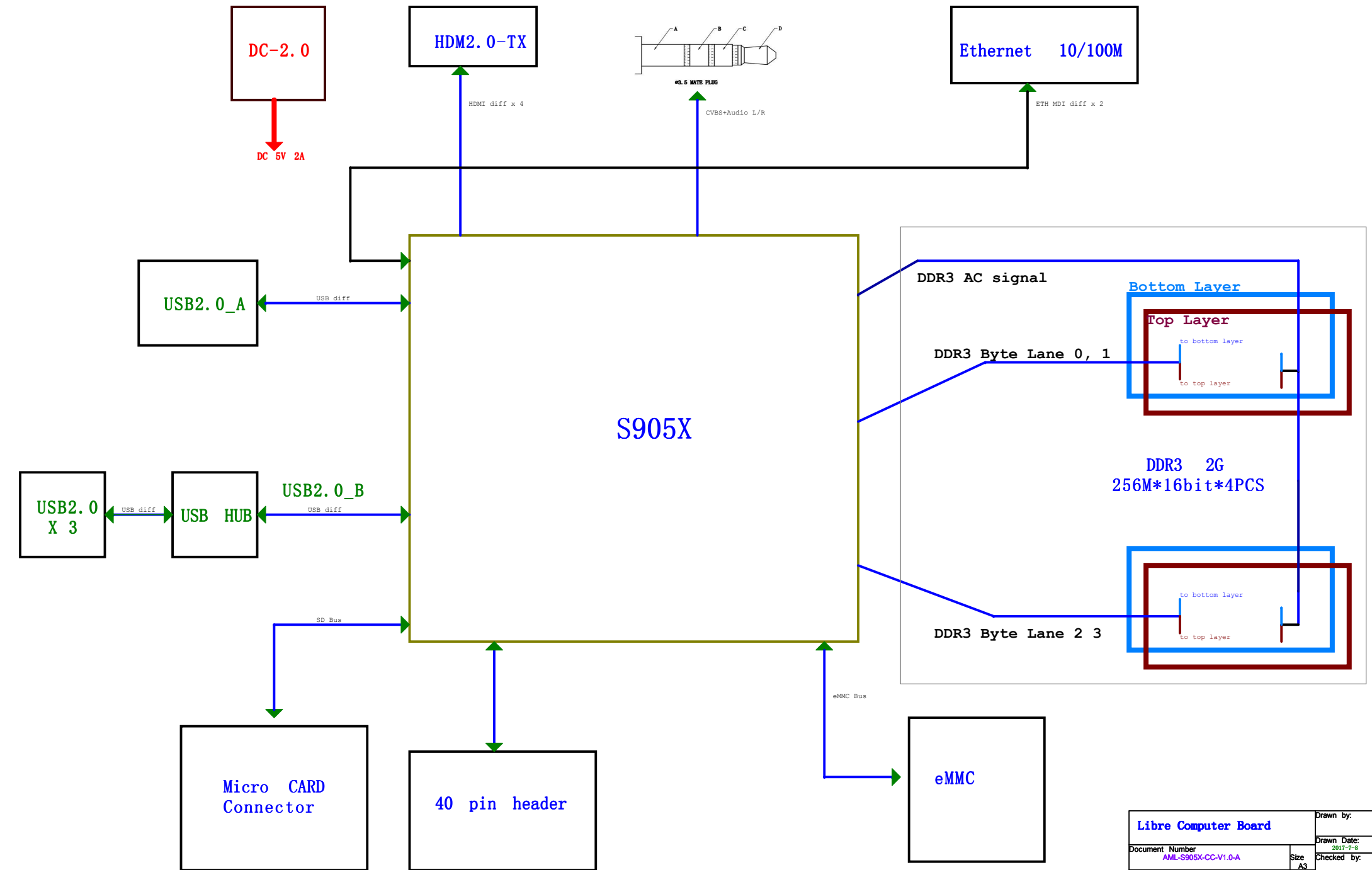
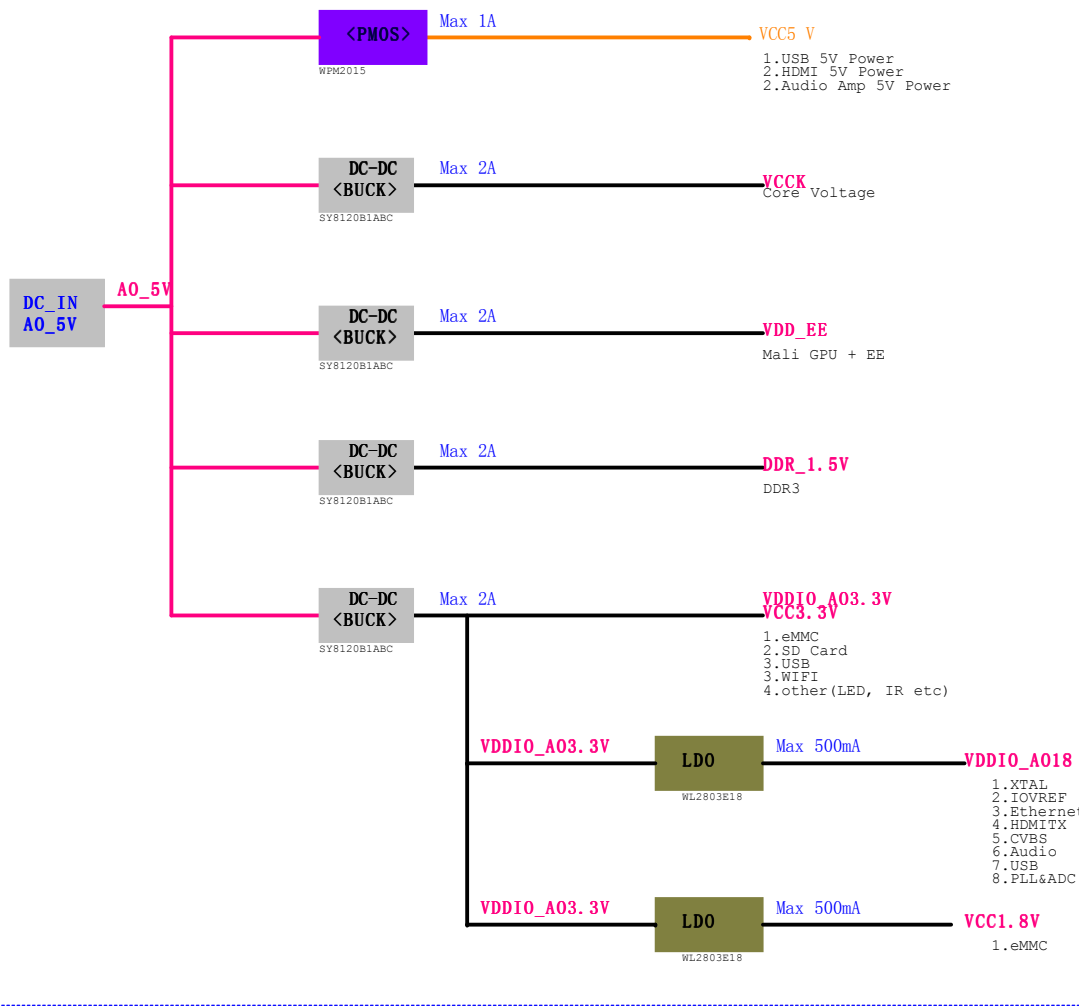


Block Diagram of S905X_4PCS_DDR3_REF

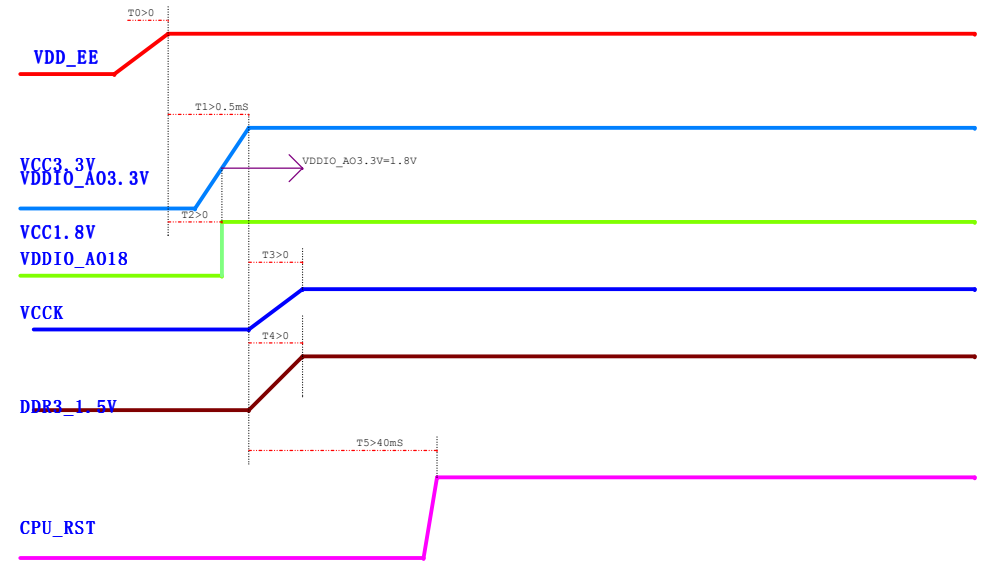


Libre Computer Board		Drawn by:	
Document Number AML-S905X-CC-V1.0-A		Drawn Date: 2017-7-8	
Title Block Diagram		Size A3	Checked by:
Rev V1.0		Rev V1.0	Checked Date: checked date
Date: Saturday, September 09, 2017	Sheet 1	of 14	

Power Tree :



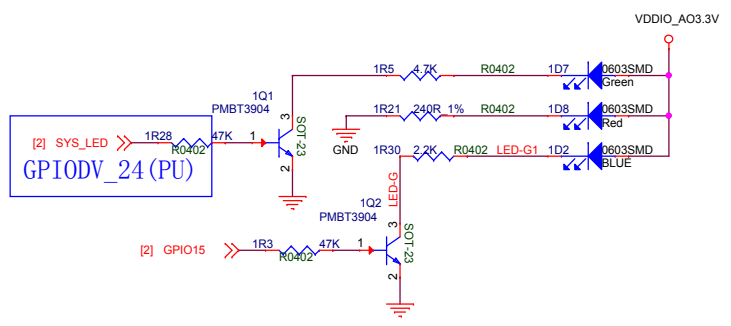
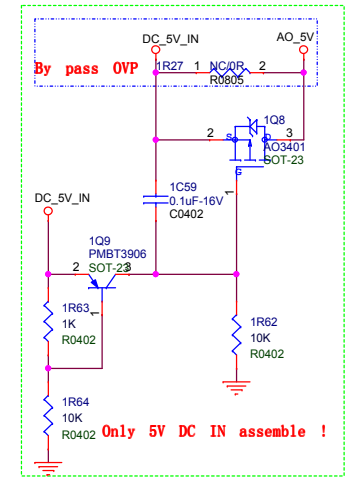
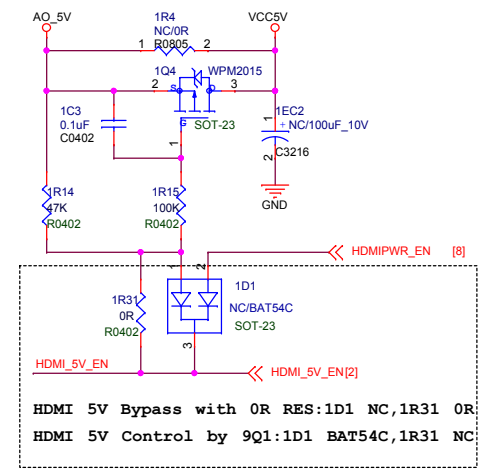
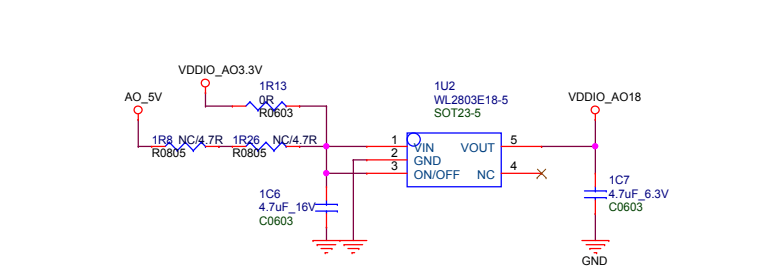
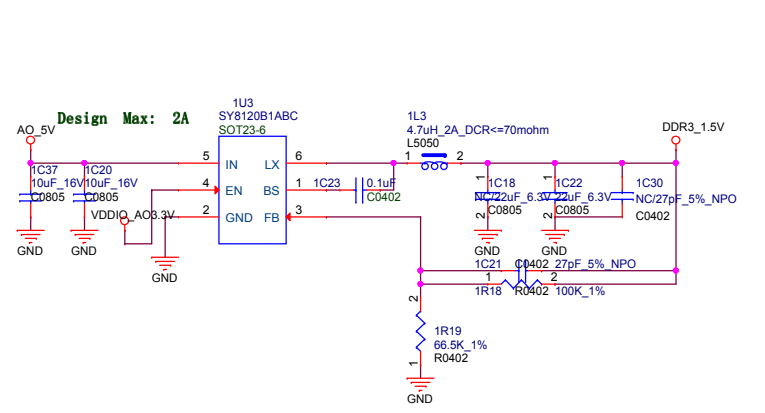
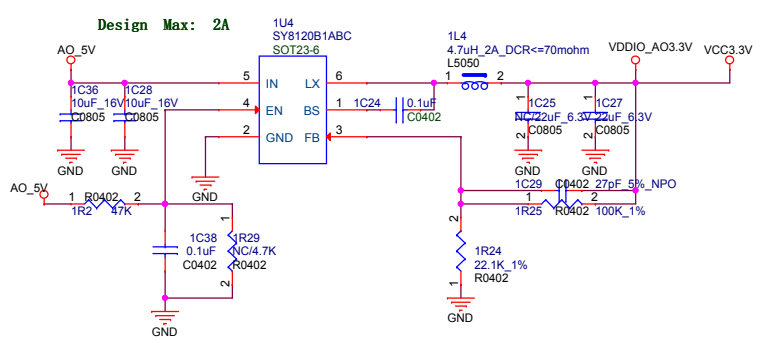
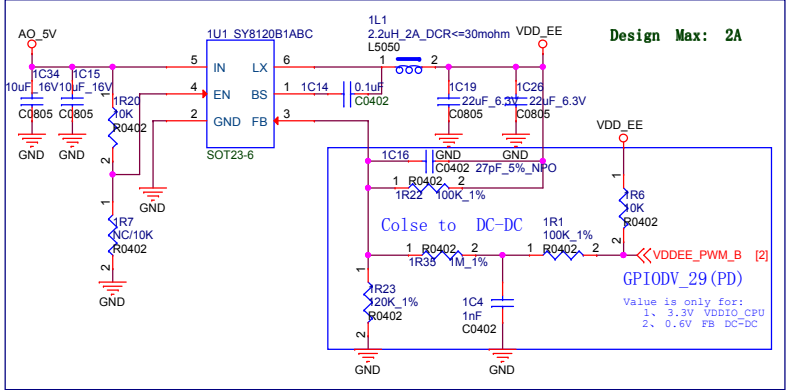
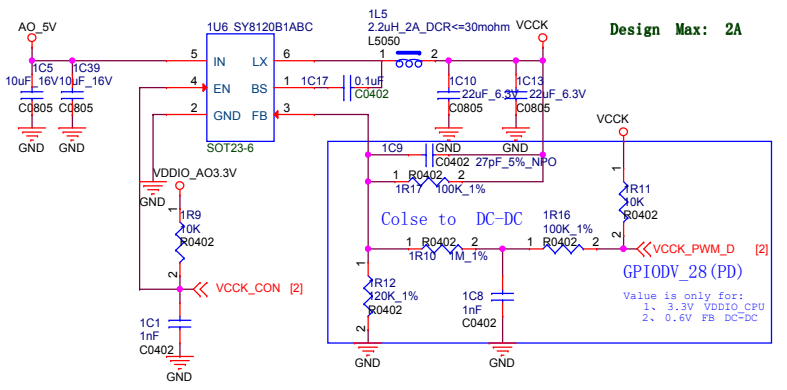
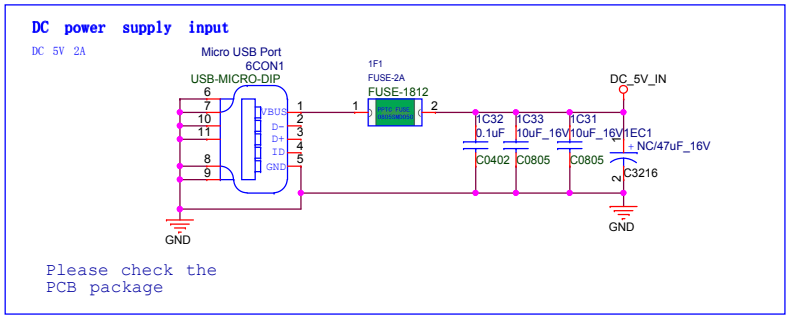
Power On Sequence :



Page index

- 00 Power Block Diagram
- 01 Block diagram of MBX
- P01 POWER
- P02 CPU
- P03 DDR3
- P04 eMMC
- P05 Ethernet
- P06 USB&CARD&KEY
- P07 HEADER
- P08 HDMI&CVBS
- P09 Audio

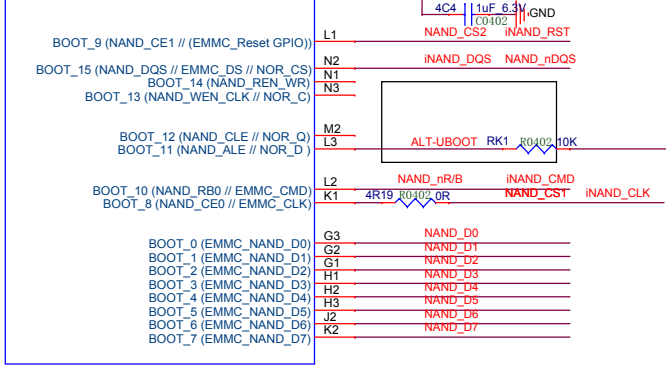
Libre Computer Board		Drawn by:	
Document Number AML-S905X-CC-V1.0-A		Drawn Date: 2017-7-8	
Title Power Block Diagram		Size A3	Checked by:
Date: Saturday, September 09, 2017		Rev V1.0	checked Date: checked date
Sheet		2 of 14	



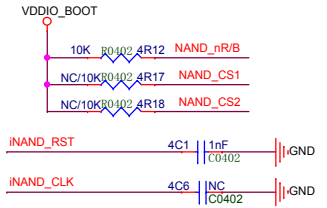
Libre Computer Board		Drawn by:	
Document Number AML-S905X-CC-V1.0-A	Size A3	Drawn Date: 2017-7-8	Checked by:
Title Power	Rev V1.0	Checked Date: checked date	<Checked>
Date: Saturday, September 09, 2017	Sheet 3 of 14		

CPU U1C

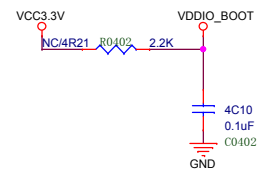
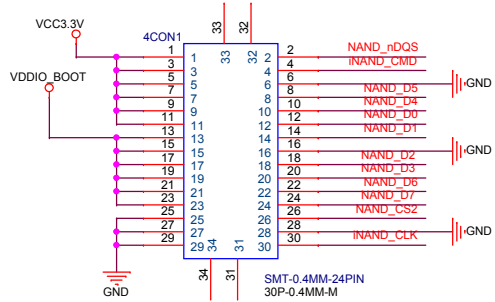
GXL_S905X U1C
LIB VER:2016-02-04
VDDIO_BOOT



BGA368_OP65

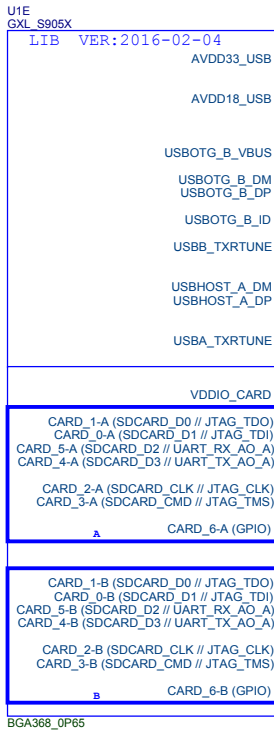


Flash daughter board

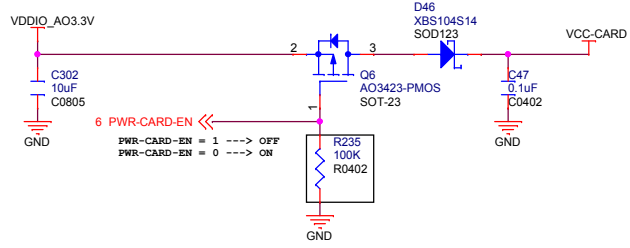
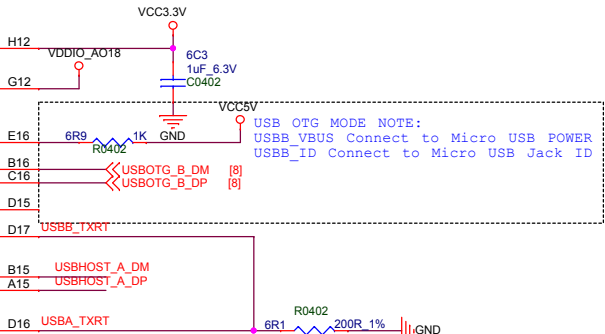


Libre Computer Board		Drawn by:	
Document Number AML-S905X-CC-V1.0-A		Drawn Date: 2017-7-8	
Title FLASH	Rev V1.0	Size A3	Checked by:
Date: Saturday, September 09, 2017	Sheet 6 of 14	Checked Date: checked date	

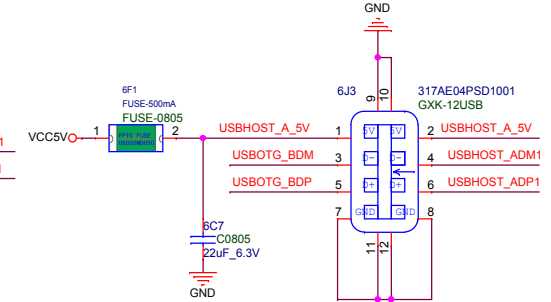
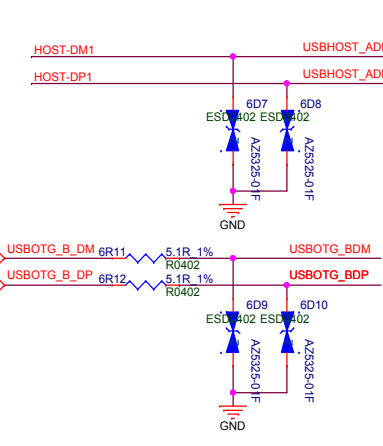
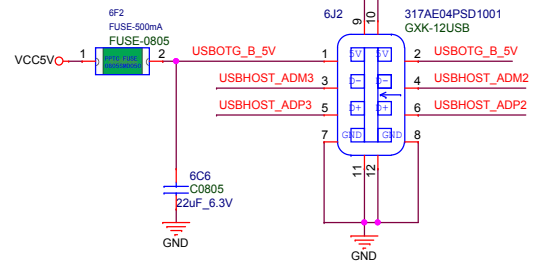
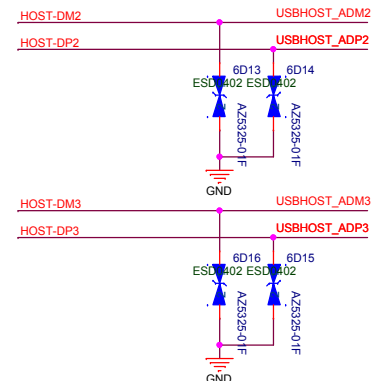
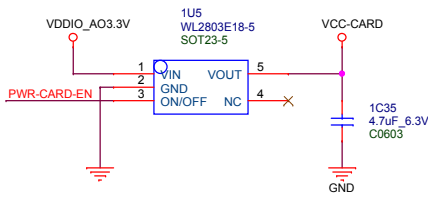
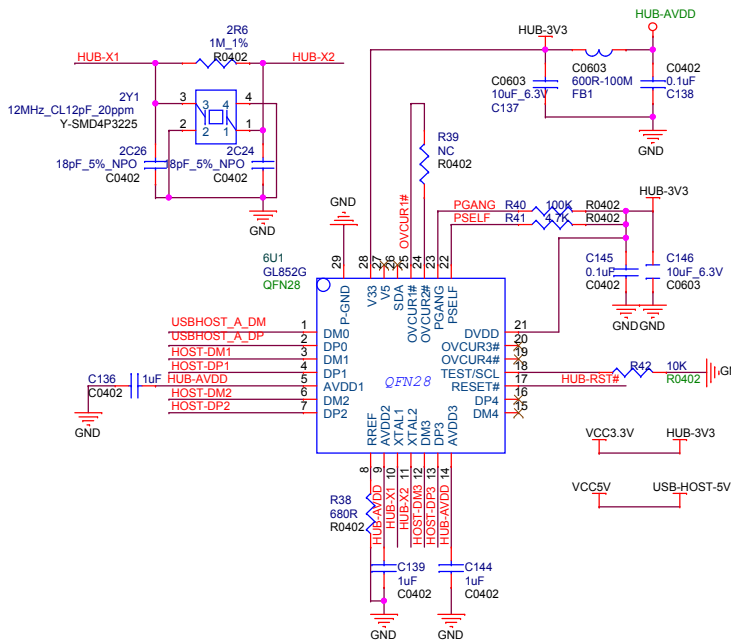
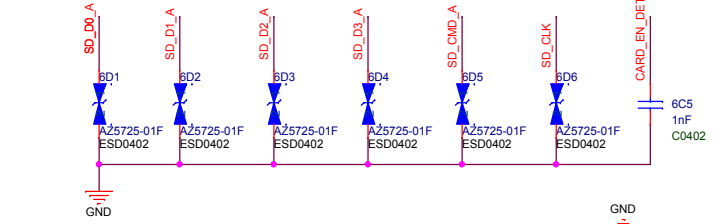
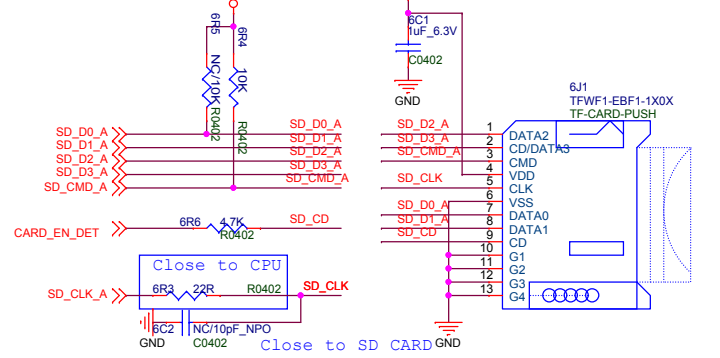
CPU UIE



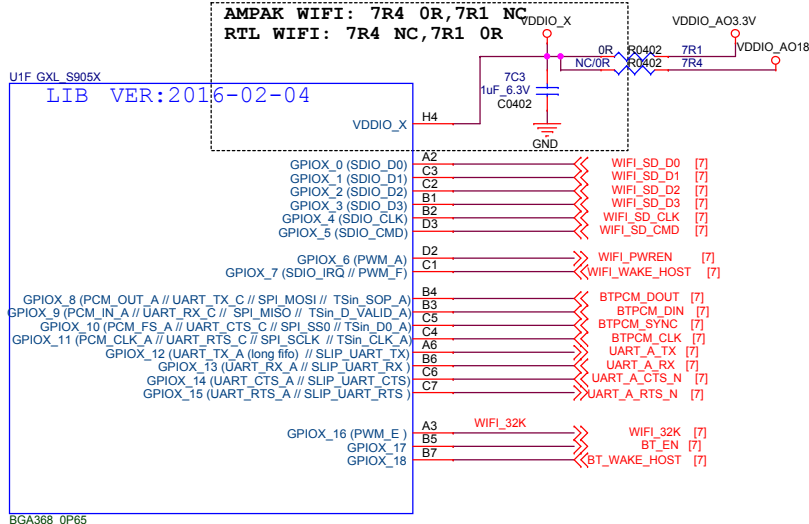
Card Power



SD CARD

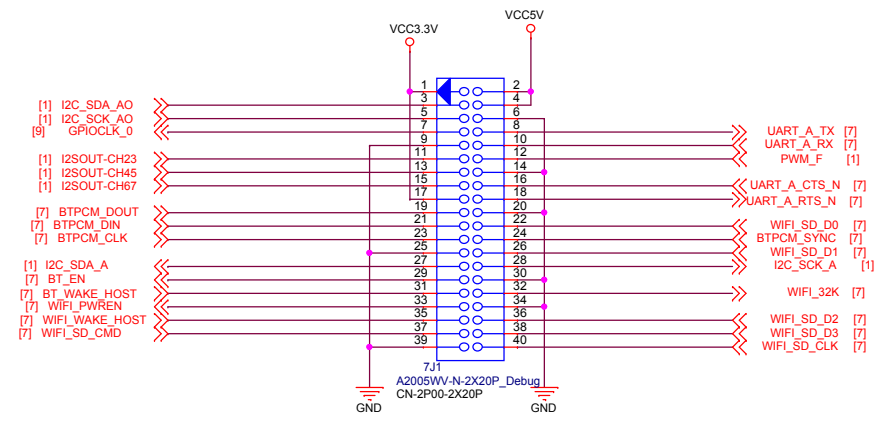


Libre Computer Board		Drawn by:	
Document Number	AML-S905X-CC-V1.0-A	Size	A3
Title	USBB-CARDMKRY	Rev	V1.0
Date:	Saturday, September 09, 2017	Checked Date:	checked date
Sheet	8	of	14



Input/output connector

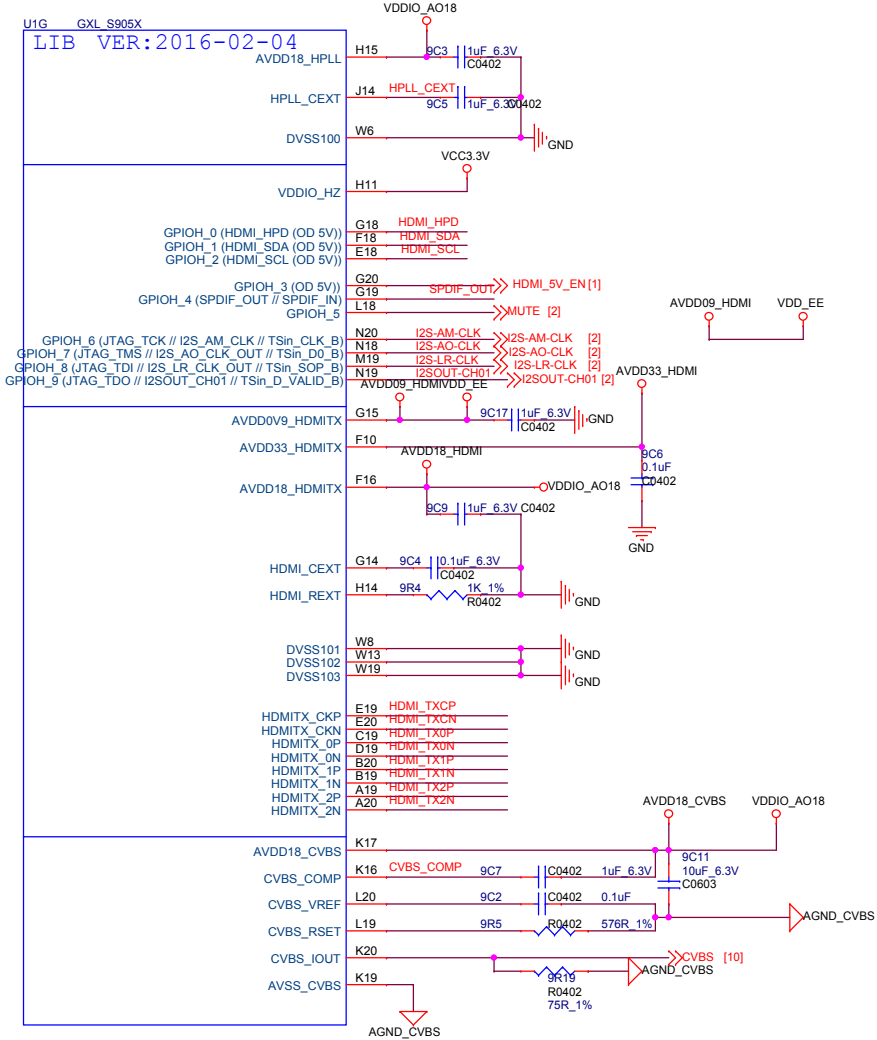
2.54mm 90° pitch dual row input/output connector



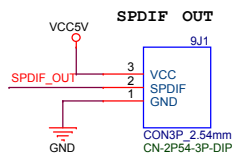
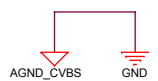
Libre Computer Board			Drawn by:
Document Number	AML-S905X-CC-V1.0-A	Size	A3
Title	Input/output connector	Rev	V1.0
Date:	Saturday, September 09, 2017	Sheet	9 of 14
Drawn Date:		2017-7-8	
Checked by:		<Checked>	
Checked Date:		checked date	

CPU U1G

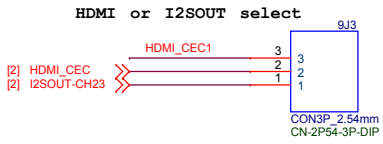
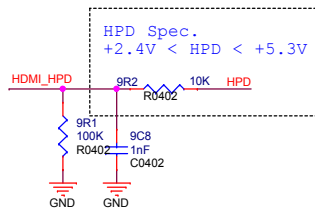
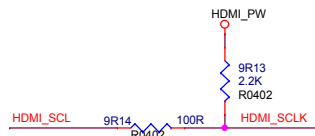
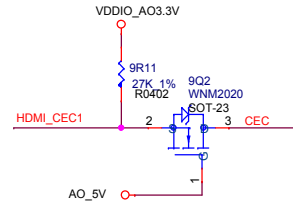
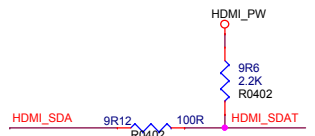
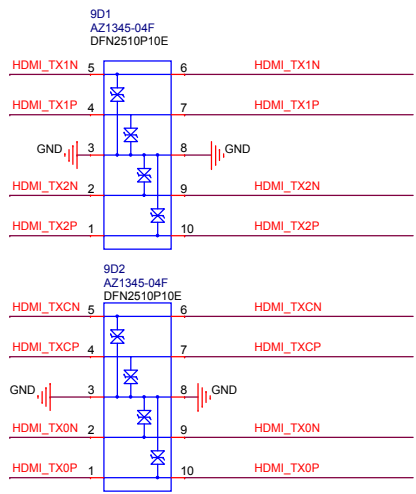
U1G GXL S905X
LIB VER:2016-02-04



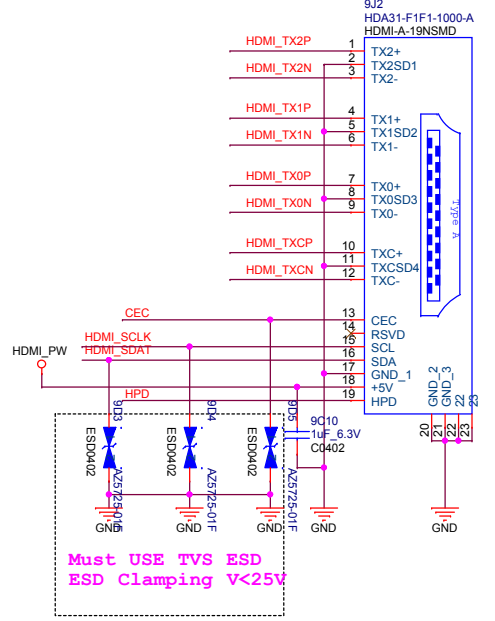
BGA368_0P65



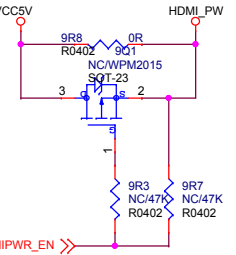
HDMI output



Type A



Must USE TVS ESD
ESD Clamping V<25V



[1] HDMIPWR_EN

Libre Computer Board		Drawn by:	
Document Number AML-S905X-CC-V1.0-A	Size A3	Drawn Date: 2017-7-8	
Title HDMI output	Rev V1.0	Checked by:	
Date: Saturday, September 09, 2017	Sheet 10 of 14	Checked Date: checked date	

